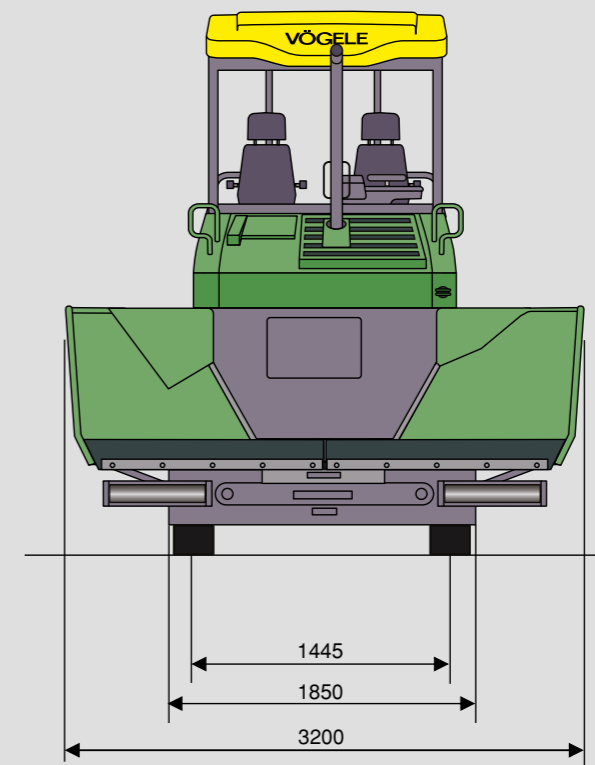
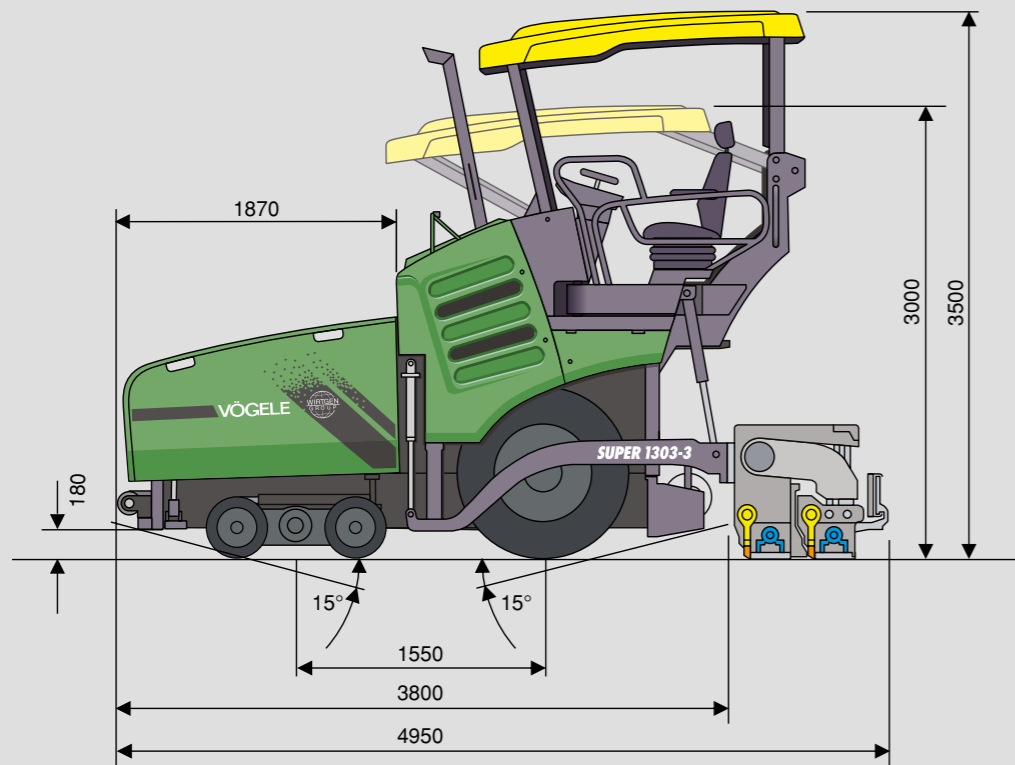


All the Facts at a Glance



Dimensions in mm

POWER UNIT

SUPER 1303-3 (for all countries except EU/EFTA countries / USA / Canada)	
Engine:	4-cylinder Deutz diesel engine
Type:	TCD 3.6L4
Exhaust Emissions Standard:	EU Stage 3a, US EPA Tier 3
Output:	Nominal: 74.4kW at 2,000 rpm (according to DIN) ECO Mode: 68.2kW at 1,600 rpm
Fuel Tank:	100 litres
Electrical System:	24V

UNDERCARRIAGE

Outside Turning Radius:	3.8m (with "Pivot Steer")
Power Steering:	hydraulic
Service Brake:	hydraulic
Auxiliary Brake:	hydraulic
Parking Brake:	spring-loaded multiple-disk brake, maintenance-free

MATERIAL HOPPER

Hopper Capacity:	10t
Width:	3,245mm
Feed Height:	518mm (bottom of material hopper)
Push-Rollers:	oscillating, displaceable forwards by 80mm

UNDERCARRIAGE

Front Wheels:	4, mounted on bogies
Tyre Equipment:	solid tyres
Tyre Size:	460/250 - 310mm
Rear Wheels:	2, pneumatic tyres
Tyre Size:	365/80 R 20 XZL TL 152K
Drive:	hydraulic, separate drive and electronic control provided for each wheel Standard: 2 rear wheels and 2 front wheels powered
Speeds:	Paving: up to 30m/min., infinitely variable Travel: up to 20km/h, infinitely variable

CONVEYORS AND AUGERS

Conveyors:	2, with replaceable feeder bars, conveyor movement reversible for a short time Drive: hydraulic, separate drive provided for each conveyor Speed: up to 25m/min., infinitely variable (manual or automatic) Conveyor Bearings: lifetime grease lubricated
Augers:	2, with replaceable auger blades, auger rotation reversible Diameter: 300mm Drive: hydraulic, separate drive provided for each auger Speed: up to 80 rpm, infinitely variable (manual or automatic) Auger Height: Standard: infinitely variable by 13cm, mechanical Option: infinitely variable by 13cm, hydraulic

SCREED OPTIONS

AB 340:	basic width 1.8m infinitely variable range 1.8m to 3.4m maximum width 4.5m minimum width 0.75m Reduction in Width: by cut-off shoes, 2 x 52.5cm
Screed Version:	TV
Layer Thickness:	up to 25cm
Screed Heating:	electric by heating rods
Power Supply:	three-phase A.C. generator

DIMENSIONS AND WEIGHTS

Length:	4.95m (tractor unit and screed in transport position)
Weights:	Tractor unit with AB 340 screed in TV version - pave widths up to 3.4m: 10.5t - pave widths up to 4.5m: 11.2t

Key: T = equipped with Tamper V = equipped with Vibrators AB = Extending Screed

Technical alterations reserved.