



Technical specification

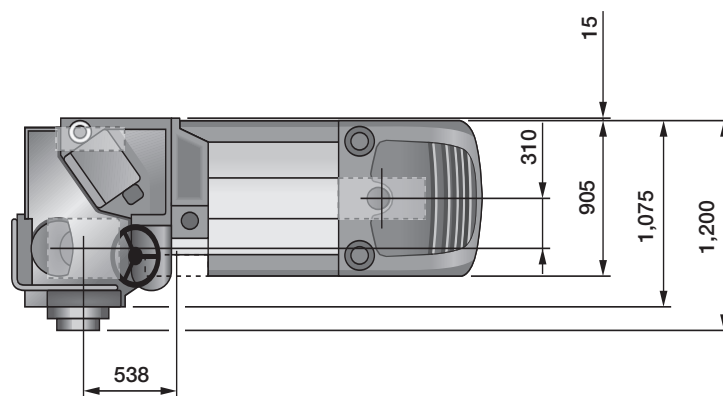
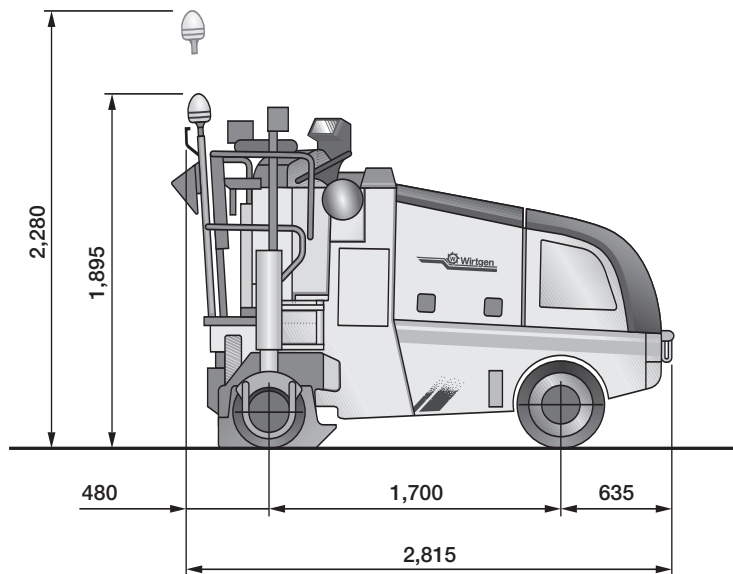
# Cold milling machine W 35 DC



	<b>Cold milling machine W 35 DC</b>
<b>Milling width max.</b>	350 mm (optionally 500 mm)
<b>Milling depth *1</b>	0–110 mm
<b>Milling drum</b>	
Tool spacing	12 mm
Number of tools	36
Drum diameter with tools	460 mm
<b>Engine</b>	
Manufacturer	Deutz AG
Type	D 2011 L04W
Cooling	Water
Number of cylinders	4
Rated power at 2,300 min <sup>-1</sup>	42.8 kW/57.4 HP/58.2 PS
Displacement	3,620 cm <sup>3</sup>
Fuel consumption, 1/1 load	12.6 l/h
Fuel consumption in field mix	8.4 l/h
Emission standards	EPA/CARB Tier III, EU-2004 / 26 EG Stage III a
<b>Electrical system</b>	24 V
<b>Tank capacities</b>	
Fuel tank	70 l
Hydraulic fluid tank	50 l
Water tank	275 l
<b>Speed / gradeability</b>	
Travel speed in milling gear, max.	0–25 m/min
Travel speed in travel gear, max.	0–6 km/h
<b>Tyres</b>	
Type	Solid rubber
Tyre size, front (dia. x W)	500 x 250 mm
Tyre size, rear (dia. x W)	405 x 130 mm
<b>Conveyor system</b>	
Belt width	250 mm
Theoretical conveyor capacity	33 m <sup>3</sup> /h
<b>Shipping dimensions (L x W x H)</b>	2,815 x 1,200 x 1,895 mm

\*1 = The maximum milling depth may deviate from the value indicated, due to tolerances and wear.

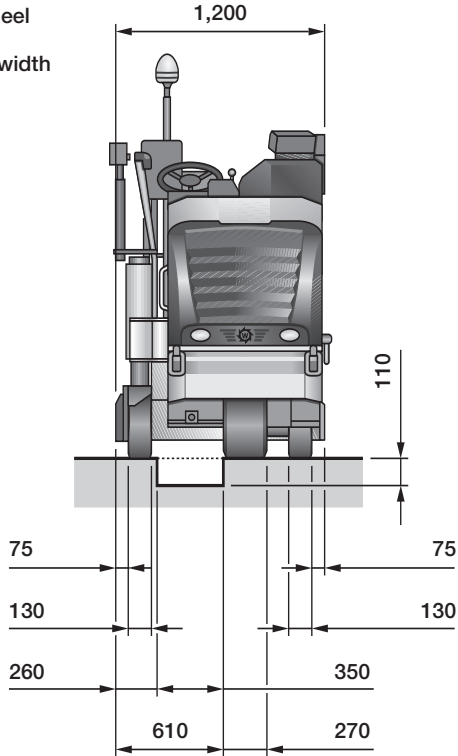
Dimensions in mm



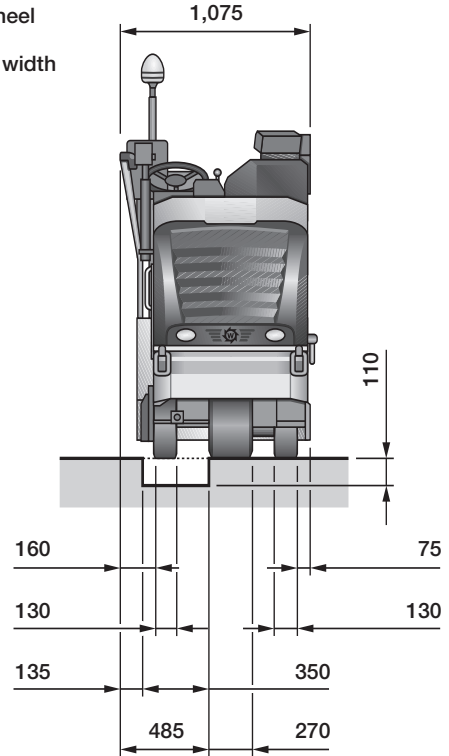
### Front view of W 35 DC

Dimensions in mm

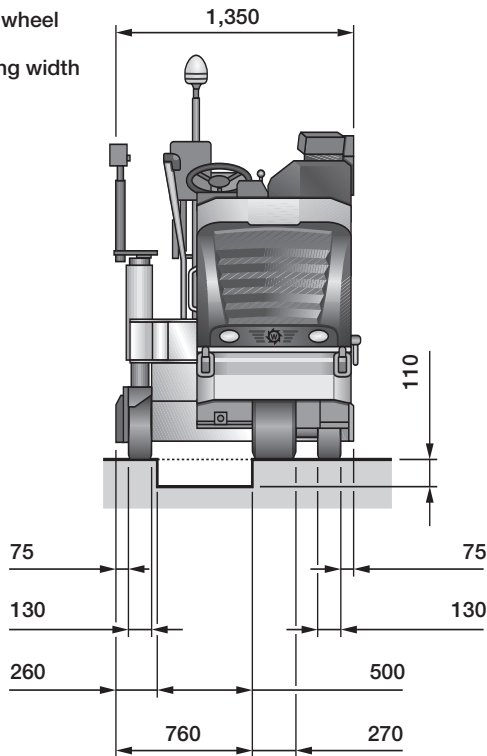
with support wheel  
folded out,  
350 mm milling width



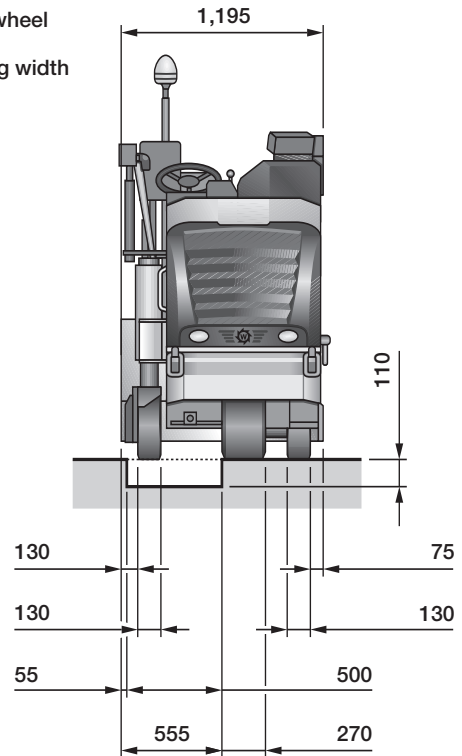
with support wheel  
folded in,  
350 mm milling width



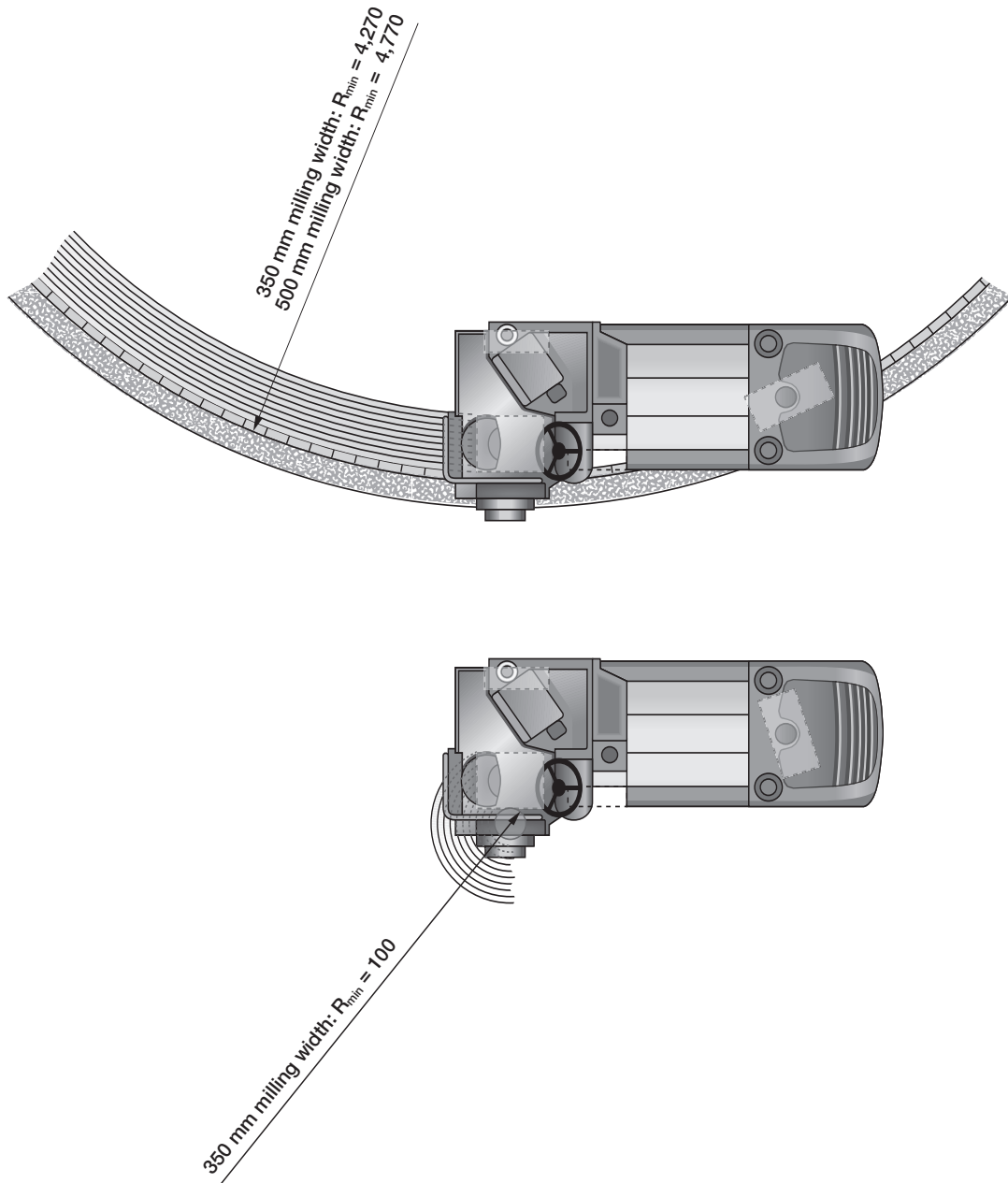
with support wheel  
folded out,  
500 mm milling width



with support wheel  
folded in,  
500 mm milling width

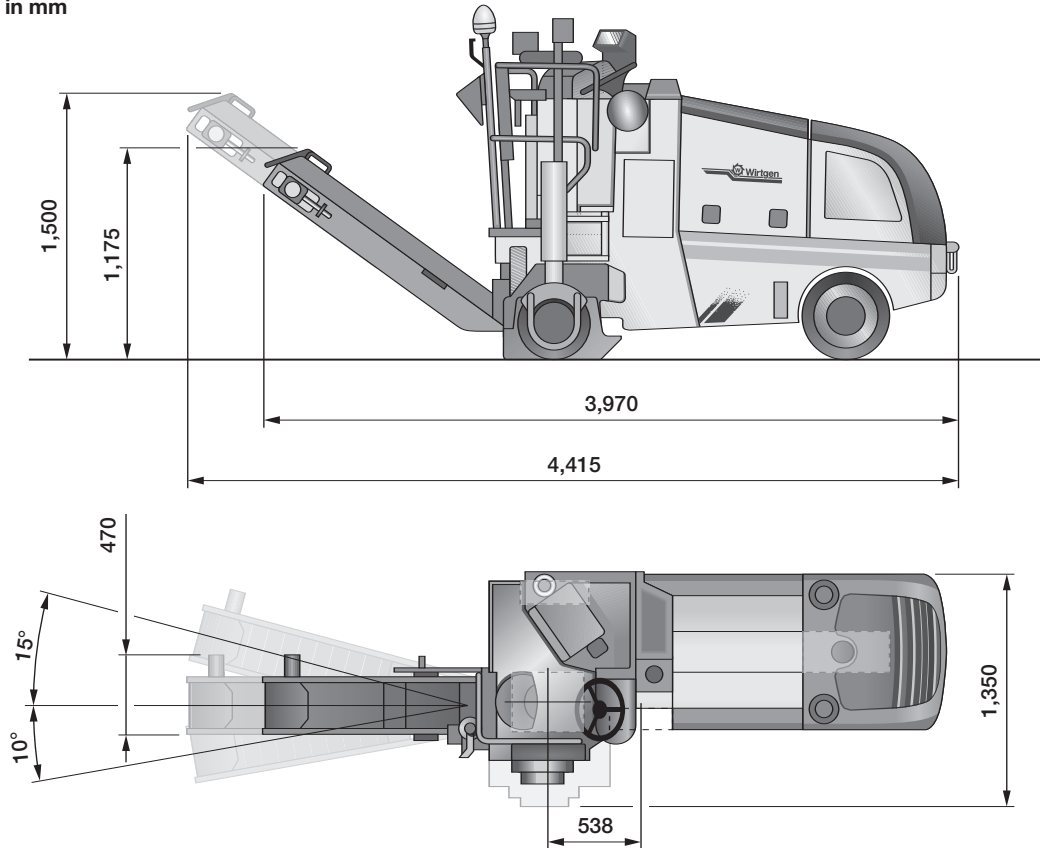


**Milling radius of W 35 DC, 110 mm milling depth**  
Dimensions in mm



**Optional equipment: model with loading conveyor and optional milling drum assembly,  
500 mm milling width**

Dimensions in mm



	Standard weights of cold milling machine W 35 DC with supplementary weight without conveyor
Own weight	4,250 daN (kg)
Operating weight, CE *	4,450 daN (kg)
Operating weight, max.	4,650 daN (kg)
Added / Reduced weight	
Optional loading conveyors	
Loading conveyor, short	100 daN (kg)
Loading conveyor, long	125 daN (kg)
Optional milling drum assemblies	
Milling drum assembly, milling width 500 mm, milling depth 0-110 mm, number of cutting tools: 36	150 daN (kg)
Supplementary weight	
Supplementary weight removed	- 1,350 daN (kg)

\* = Weight of machine with half-full water tank, half-full fuel tank, driver (75 kg) and tools.

## Equipment features of cold milling machine W 35 DC

### Standard equipment:

#### Operator's platform

- ✔ Convenient control panel with practical switches
- ✔ Convenient access to operator's platform
- ✔ Vibration-damped operator's platform
- ✔ Height-adjustable steering wheel
- ✔ Lockable covers for control panels

#### Levelling control

- ✔ Mechanical milling depth display via clock left and right

#### Basic machine with engine

- ✔ Heavy-duty machine chassis
- ✔ Engine cowling with highly effective soundproofing
- ✔ Integrated 275-litre water tank
- ✔ Integrated 70-litre diesel tank
- ✔ Loading and lashing lugs integrated in chassis
- ✔ Standard painting in Wirtgen white with orange stripes

#### Milling drum assembly

- ✔ Milling drum housing for milling drums of up to 350 mm milling width
- ✔ Selectable water spray bar for tool cooling

#### Milling drums

- ✔ Milling drum, milling width 350 mm, tool spacing 12 mm

#### Loading of milled material

- ✔ No loading of milled material
- ✔ Wide-opening drum door with automatic electric safety engine cut-off

#### Chassis and height adjustment

- ✔ Hydraulic all-wheel drive with hydraulic flow divider
- ✔ Two manually selectable milling and travel speeds
- ✔ Hydraulic spring brake
- ✔ Hydraulic height adjustment with two speed settings at the rear travel drive units
- ✔ Manually folding rear right support wheel

#### Miscellaneous

- ✔ Complete set of working lights for night work
- ✔ Lockable toolbox with comprehensive tool kit
- ✔ Additional storage compartment for cutting tool containers
- ✔ Towing device for releasing the spring brake
- ✔ Orange flashing beacon with mast
- ✔ Reversing horn
- ✔ Comprehensive safety package with emergency stop switch
- ✔ GS mark (Geprüfte Sicherheit = Tested Safety) by the German Employer's Liability Insurance Association, as well as CE mark
- ✔ Standard warranty of 12 months or 1,000 engine operating hours
- ✔ Machine commissioning by qualified personnel

### Optional Equipment:

#### Operator's platform

- ✔ Folding stand-up seat

#### Levelling control

- ✔ Electric milling depth indication left and right via a digital display

#### Basic machine with engine

- ✔ Operation of cold milling machine with bio-degradable hydraulic fluid
- ✔ Special painting

#### Milling drum assembly

- ✔ Milling drum housing extension for milling drums of up to 500 mm milling width
- ✔ Connection to milling drum housing for dust extraction system

#### Milling drums

- ✔ Milling drum, milling width 500 mm, tool spacing 12 mm
- ✔ Special milling drums with reduced milling widths
- ✔ Special milling drums for removing road markings
- ✔ Special milling drums for fine milling
- ✔ Side milling ring with cover, milling width 80 mm, milling depth 180 mm
- ✔ Saw blades for cutting butt joints in asphalt, 14 mm or 25 mm wide

#### Loading of milled material

- ✔ One-stage, detachable conveyor system, 1,300 mm long
- ✔ One-stage, detachable conveyor system, 1,870 mm long

#### Miscellaneous

- ✔ Integrated supplementary weights, 1,350 kg
- ✔ Additional hydraulic connection for ancillary hydraulic equipment
- ✔ Hydraulic hammer with 10-m hose
- ✔ Transport trailer for W 35 DC with a permissible total weight of up to 8.9 tons



Wirtgen GmbH  
Reinhard-Wirtgen-Strasse 2 · 53578 Windhagen · Germany  
Phone: +49 (0) 26 45/131-0 · Fax: +49 (0) 26 45/131-242  
Internet: [www.wirtgen.com](http://www.wirtgen.com) · E-Mail: [info@wirtgen.com](mailto:info@wirtgen.com)